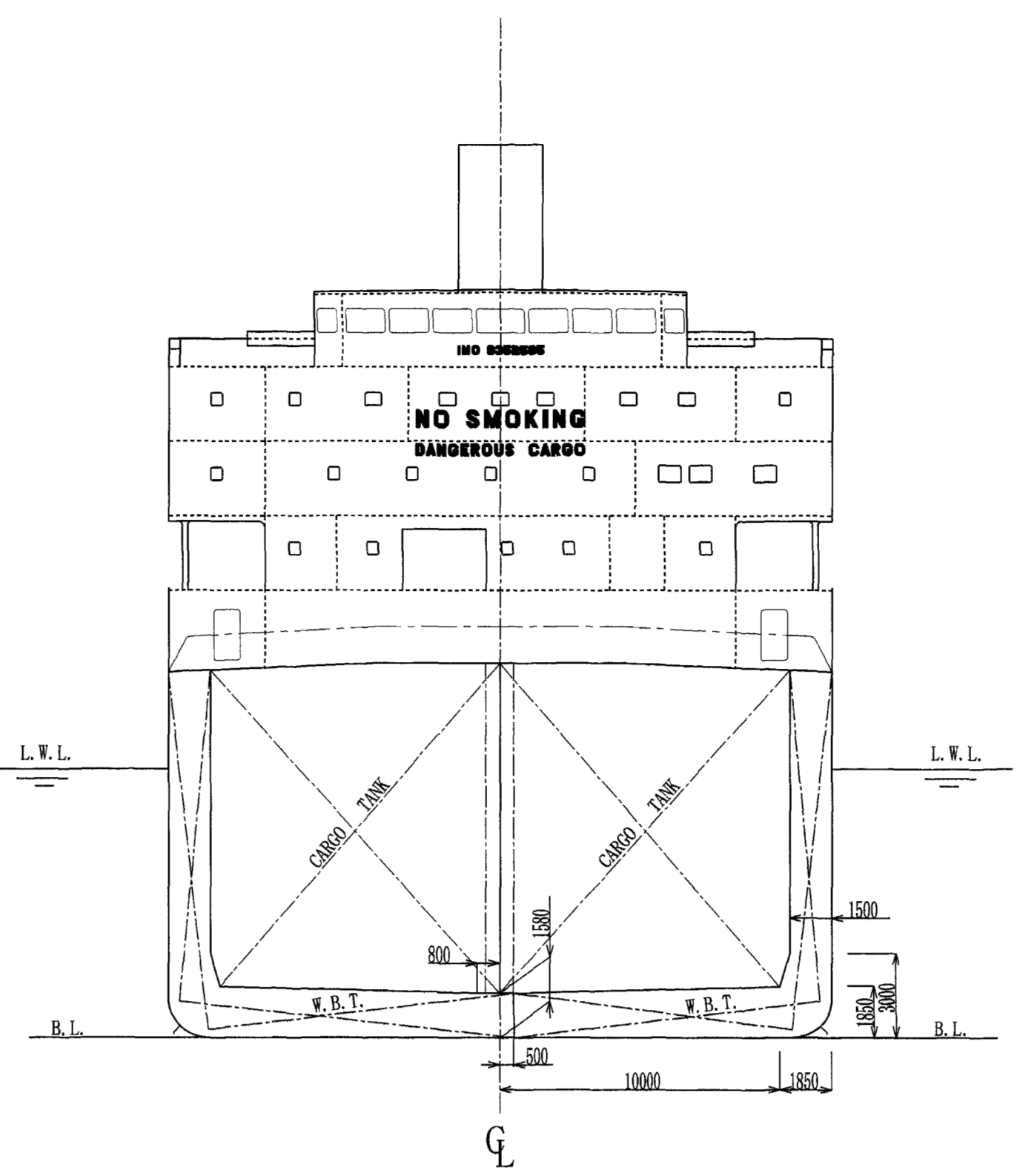
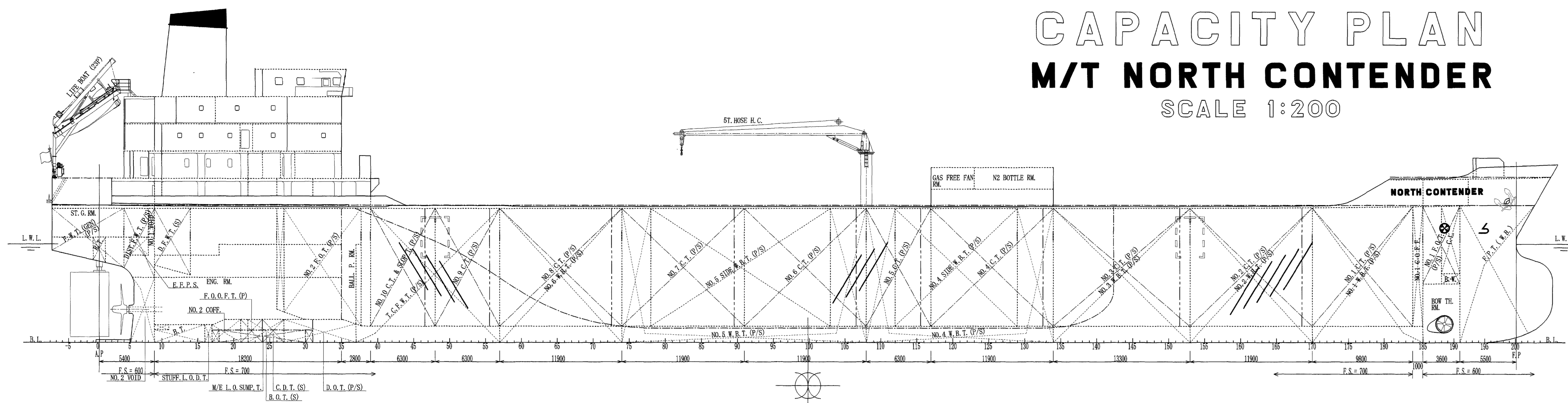
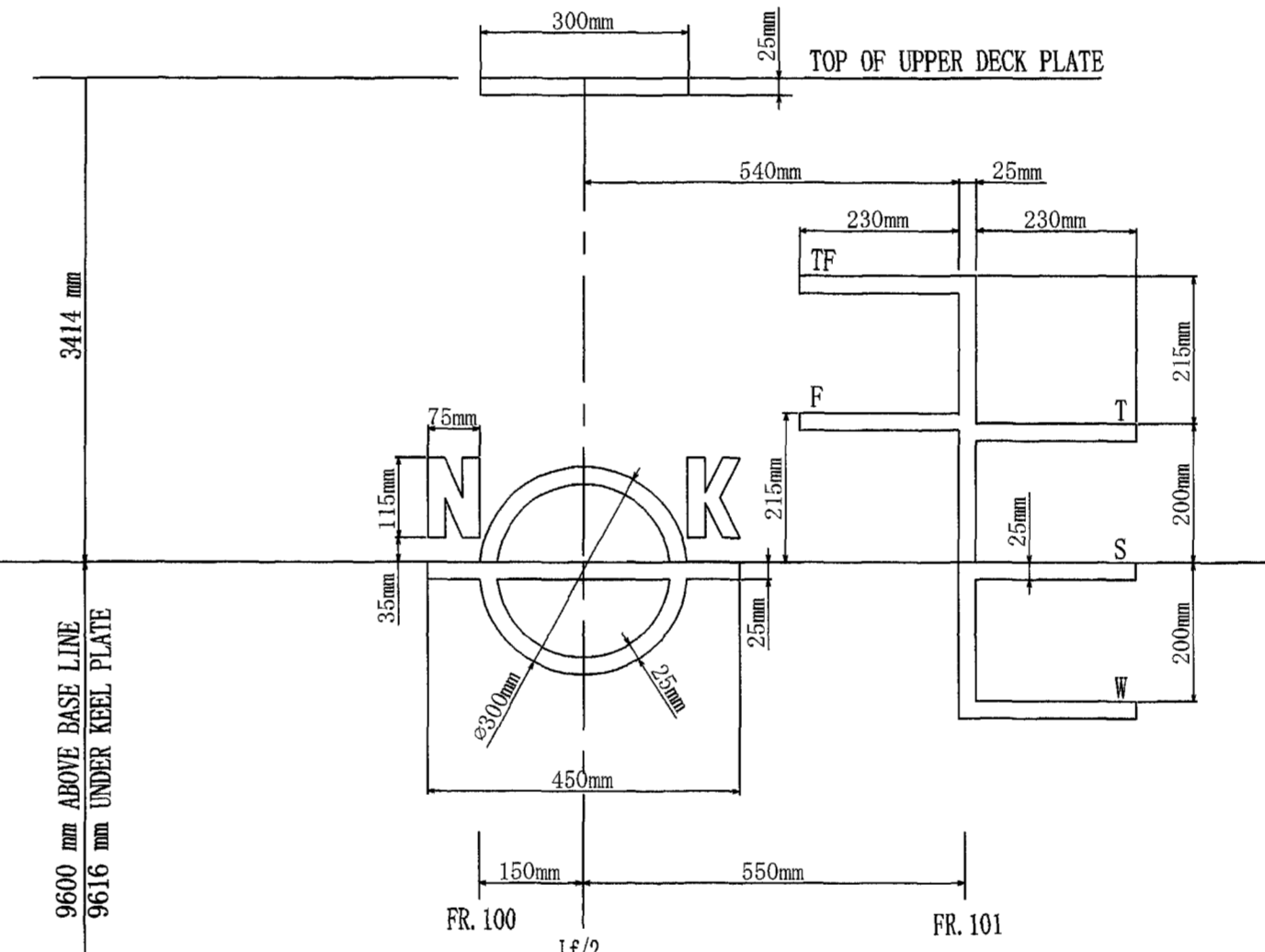


# CAPACITY PLAN M/T NORTH CONTENDER SCALE 1:200

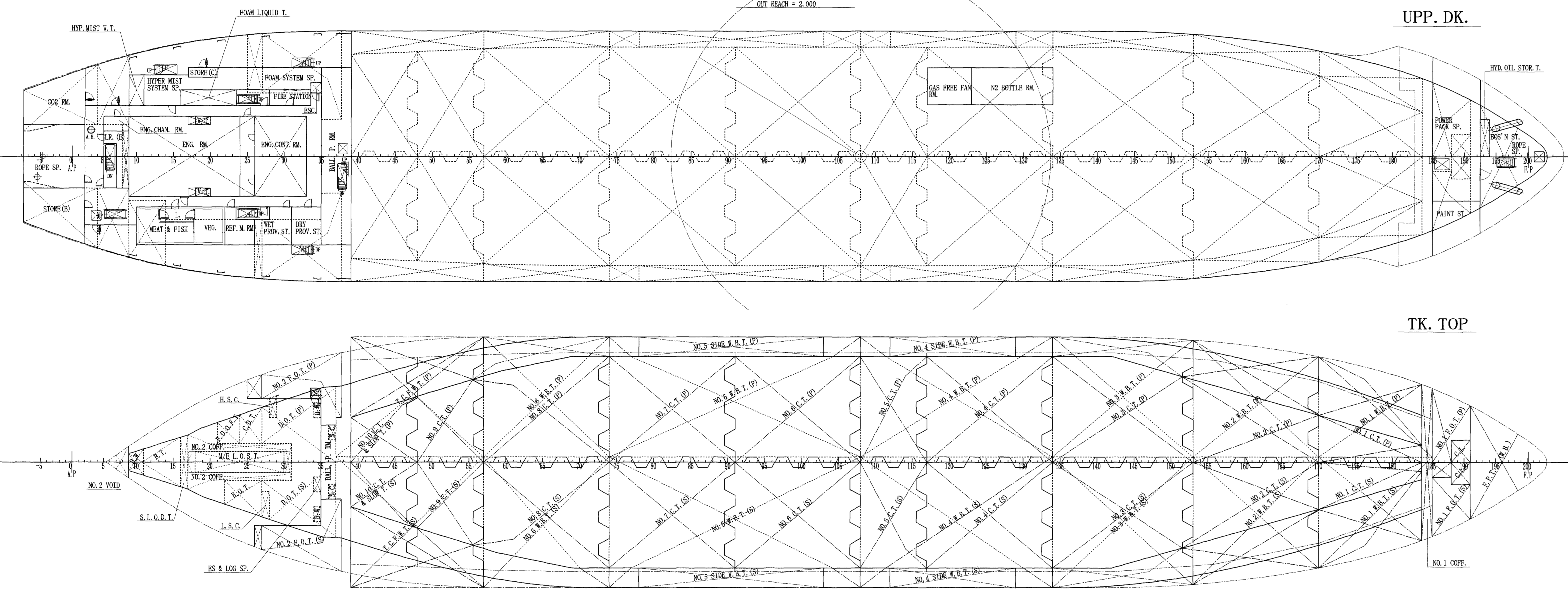


### PRINCIPAL PARTICULARS

LENGTH (O.A.)	146.60 M
LENGTH (B.P.)	138.00 M
BREADTH (MID.)	23.70 M
DEPTH	13.00 M
DRAFT (SUMMER EXTREME)	9.616 M
DEAD WEIGHT	19,925.47 MT
GROSS TONNAGE	11,662
MAIN ENGINE	BAW 6S42WC (Mark 6)
SPEED (TRIAL MAX.)	6.150 (6.370) x 136 SET
SERVICE SPEED	15.423 KNOTS
COMPLEMENT	23 P
CLASS	NIPPON KAI I I KYOKAI
NOTE (TANKER OILS FLASHPOINT ON AND BELOW 60°C AND CHEMICALS TYPE (HAW) (GSP) (NS))	
FLAG	PANAMA



LOAD LINE	FRESHWATER (M)	DRAFT (M)	DISPLACEMENT (T)	DEAD-WEIGHT (T)
TROPICAL FRESH (TF)	2.999	10.031	25,821.81	20,503.16
FRESH WATER (F)	3.199	9.831	25,245.40	19,926.75
TROPICAL (T)	3.214	9.816	25,232.32	20,513.67
SUMMER (S)	3.414	9.616	25,244.12	19,925.47
WINTER (W)	3.614	9.416	24,668.51	19,339.86



TANK NAME	LOCATION (OP. NO.)	CAPACITY (100%)	HEIGHT (100%)	CENTER OF GRAVITY (100%)	MAX. I (100%)
OTHER TANK ON UPPER DECK					
HYD. MIST W.T. (P)	9-11	465.90	465.90	62.90 14.05	2.85
FOAM LIQID T. (P)	16-23(+0.35)	10.52		56.08 14.45	1.48
HYD. OIL STOR. T. (P)	192(+0.30) - 194	4.37		-64.85 14.75	3.22
TOTAL		21.55			

TANK NAME	LOCATION (OP. NO.)	CAPACITY (100%)	HEIGHT (100%)	CENTER OF GRAVITY (100%)	MAX. I (100%)
FUEL OIL TANKS					
No. 1 F.O.T. (P)	185-191	102.57	91.59	-41.32 9.86	53.17
No. 1 F.O.T. (S)	185-191	83.41	74.50	-41.43 9.89	29.25
No. 2 F.O.T. (P)	27-37(+0.50)	351.85	313.50	46.66 8.85	192.10
No. 2 F.O.T. (S)	27-37(+0.50)	364.27	324.56	46.62 8.91	196.28
TOTAL		902.30	803.95		

TANK NAME	LOCATION (OP. NO.)	CAPACITY (100%)	HEIGHT (100%)	CENTER OF GRAVITY (100%)	MAX. I (100%)
DIESEL OIL TANKS					
D.O.T. (P)	27-37	63.42	51.37	47.05 1.22	101.30
D.O.T. (S)	27-37	53.07	47.85	46.97 1.22	98.76
TOTAL		122.49	99.22		

TANK NAME	LOCATION (OP. NO.)	CAPACITY (100%)	HEIGHT (100%)	CENTER OF GRAVITY (100%)	MAX. I (100%)
LUBRICANT OIL					
M/E L.O. STOR. T. (C)	18-30	19.86	16.09	53.10 0.60	6.52
TOTAL		19.86	16.09		

TANK NAME	LOCATION (OP. NO.)	CAPACITY (100%)	HEIGHT (100%)	CENTER OF GRAVITY (100%)	MAX. I (100%)
BILGE OIL TANK					
B.O.T. (S)	22-27	14.25	11.54	52.60 1.35	6.89
B.T. (C)	9-16	13.78	16.01	60.63 0.91	14.52
TOTAL		34.01	27.55		

TANK NAME	LOCATION (OP. NO.)	CAPACITY (100%)	HEIGHT (100%)	CENTER OF GRAVITY (100%)	MAX. I (100%)
OTHER TANK IN B/R					
F.O.D.F.T. (P)	21-24	6.78	5.49	54.08 1.39	2.28
C.D.T. (P)	24-27	9.44	7.65	52.00 1.34	4.98
S.L.O.D.T. (C)	16-17	4.59	3.72	58.34 0.96	6.80
CYL. OIL STOR. T. (C)	25-27	63.76	55.45	51.69 9.89	19.92
M/E L.O. STOR. T. (S)	26-27	22.42	18.16	51.95 9.82	10.10
M/E L.O. STOR. T. (C)	22-16	16.99	13.03	60.10 7.38	4.59
No. 1 D.O. SERV. T. (P)	12-14	8.90	7.29	60.79 10.83	4.91
No. 2 D.O. SERV. T. (P)	10-12	7.49	6.07	62.18 10.87	3.41
TOTAL		119.57	96.96		

TANK NAME	LOCATION (OP. NO.)	CAPACITY (100%)	HEIGHT (100%)	CENTER OF GRAVITY (100%)	MAX. I (100%)
T.C.F. FRESH WATER TANK					
T.C.F. F.W.T. (P)	37-57	485.90	485.90	36.53 4.77	727.51
T.C.F. F.W.T. (S)	37-57	487.85	487.85	36.55 4.69	1006.30
TOTAL		973.75	973.75		

TANK NAME	LOCATION (OP. NO.)	CAPACITY (100%)	HEIGHT (100%)	CENTER OF GRAVITY (100%)	MAX. I (100%)
FRESH WATER TANK					
F.W.T. (GEN.) (P)	A.E.-4	113.42	113.42	69.54 11.06	69.20
F.W.T. (GEN.) (S)	A.E.-4	113.42	113.42	69.54 11.06	69.20
DIST. F.W.T. (P)	4-9	86.46	86.46	65.01 10.48	65.16
DIST. F.W.T. (S)	4-9	86.46	86.46	65.01 10.48	65.16
D.F.W.T. (S)	9-14	73.07	73.07	61.74 11.04	53.80
TOTAL		472.83	472.83		

TANK NAME	LOCATION (OP. NO.)	CAPACITY (100%)	HEIGHT (100%)	CENTER OF GRAVITY (100%)	MAX. I (100%)
WATER BALLAST TANK					
F.P.T. (C)	191-F.E.	398.63	408.60	-66.36 6.85	231.10
No. 1 W.B.T. (P)	170-185	315.69	323.58	-53.94 5.57	177.63
No. 1 W.B.T. (S)	170-185	332.58	340.89	-53.97 5.33	279.23
No. 2 W.B.T. (P)	150-170	426.09	436.74	-43.09 4.60	721.72
No. 2 W.B.T. (S)	150-170	444.70	455.82	-43.19 4.44	983.44
No. 3 W.B.T. (P)	134-153	482.55	494.61	-30.42 4.13	1,484.85
No. 3 W.B.T. (S)	134-153	503.35	515.93	-30.61 3.99	1,907.95
No. 4 W.B.T. (P)	108-134	447.56	458.75	-14.86 2.41	2,215.82
No. 4 W.B.T. (S)	108-134	478.03	487.93	-14.85 2.31	2,854.80
No. 4 SIDE W.B.T. (P)	112-129	200.26	205.27	-14.45 7.37	6.33
No. 4 SIDE W.B.T. (S)	112-129	200.26	205.27	-14.45 7.37	5.33
No. 5 W.B.T. (P)	74-108	552.40	566.21	8.01 2.12	2,897.47
No. 5 W.B.T. (S)	74-108	589.63	604.37	6.02 2.03	3,733.03
No. 5 SIDE W.B.T. (P)	78-103	294.50	301.86	6.55 7.37	7.84
No. 5 SIDE W.B.T. (S)	78-103	294.50	301.86	6.55 7.37	7.84
No. 6 W.B.T. (P)	57-74	416.90	427.32	24.04 4.12	1,290.17
No. 6 W.B.T. (S)	57-74	435.51	446.40	24.04 3.98	1,677.23
TOTAL		6,811.14	6,981.41		

TANK NAME	LOCATION (OP. NO.)	CAPACITY (100%)	HEIGHT (100%)	CENTER OF GRAVITY (100%)	MAX. I (100%)
CARGO TANK					
No. 1 C.T. (P)	170-184	654.658		-53.27 7.82	206.00
No. 1 C.T. (S)	170-184	669.414		-53.25 7.81	218.30
No. 2 C.T. (P)	153-170	1,164.345		-42.43 7.68	710.30
No. 2 C.T. (S)	153-170	1,178.253		-42.41 7.67	734.00
No. 3 C.T. (P)	134-153	1,544.707		-30.01 7.50	1,170.20
No. 3 C.T. (S)	134-153	1,545.347		-30.01 7.50	1,170.20
No. 4 C.T. (P)	117-134	1,404.676		-17.51 7.47	1,085.00
No. 4 C.T. (S)	117-134	1,418.379		-17.49 7.47	1,116.60
No. 5 C.T. (P)	108-117	740.085		-8.41 7.47	567.60
No. 5 C.T. (S)	108-117	753.304		-8.39 7.47	599.10
No. 6 C.T. (P)	91-108	1,404.072		0.69 7.47	1,085.00
No. 6 C.T. (S)	91-108	1,417.288		0.71 7.47	1,116.60
No. 7 C.T. (P					